

WARNING

Electrical Shock Hazard

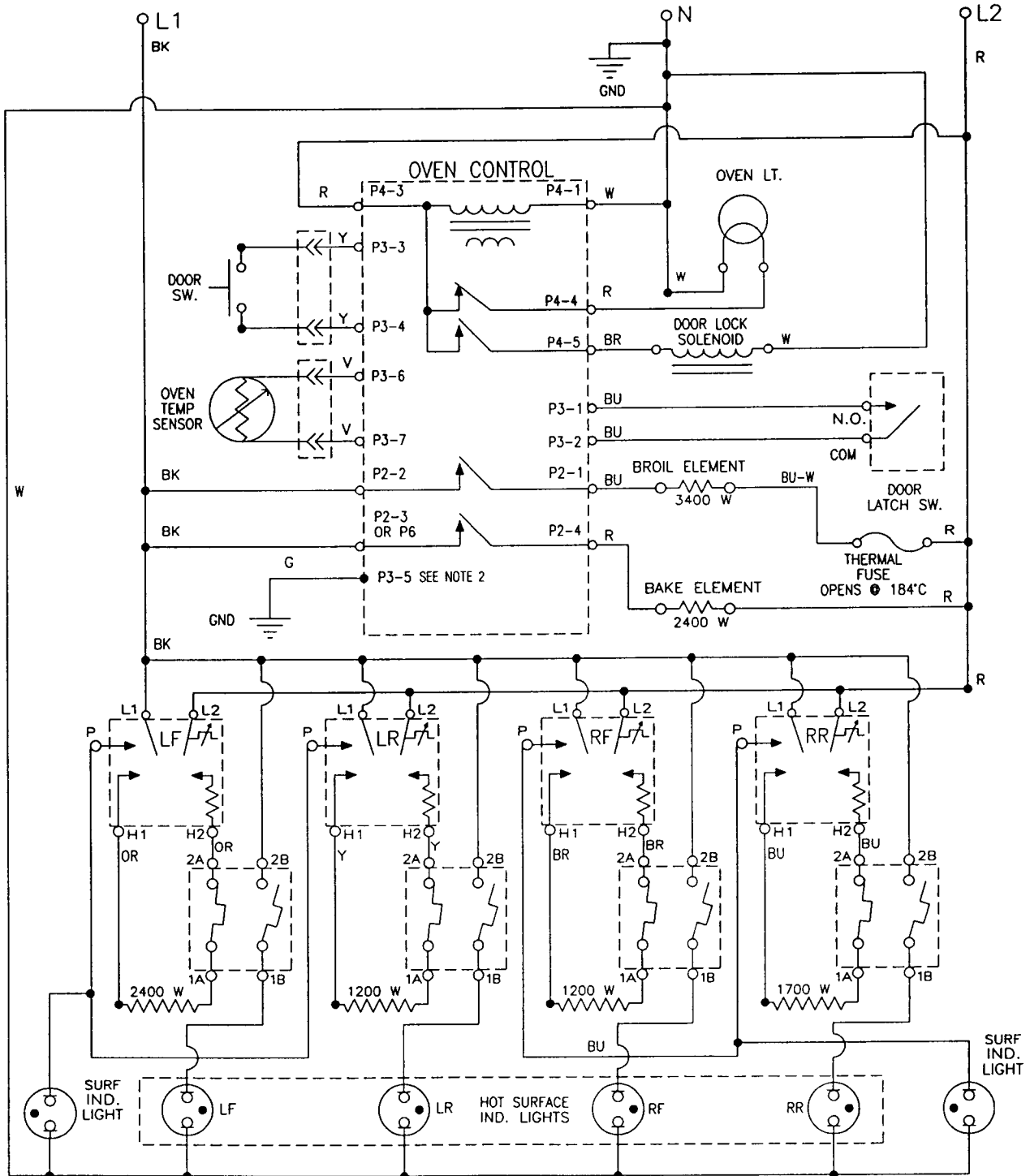
Disconnect from electric supply before servicing.
Failure to do so could result in death, electrical shock or other serious injury.

MANUFACTURED UNDER ONE OR MORE OF THE FOLLOWING U. S. PATENTS:

3,659,578	3,877,460	4,467,184
3,788,300	4,102,322	4,565,967
3,832,988	4,364,589	4,613,739

OTHER PATENTS PENDING.

- NOTES: 1. Schematic shows door latch switch in the cook position with the oven door open, and elements off.
2. Eaton controls do not use the ground connection at P3-5.



DIAGNOSTICS

1. All diagnoses of this range must begin with normal check of line voltage, blown fuses, and defective components.
2. All units that are defective the first few days of use should be checked for loose or miswiring.
3. All checks should be made with a meter having a sensitivity of 20,000 ohms per volt or greater.

Temperature Adjustment

- Press and hold BAKE pad for five (5) seconds. Current offset, if any, is shown in 3-digit display. CAL is shown in 4-digit display (3 digits on right).
- Pressing the TEMP pad "up" arrow (▲) adjusts the temperature in 10° F increments in the following sequence: 0°; 10°; 20°; 30°; -30°; -20°; -10°; 0°; and so on.
- Press START/ENTER pad to activate the desired temperature adjustment. If the START/ENTER

FAILURE/ERROR DISPLAY CODES

4-DIGIT DISPLAY	3-DIGIT DISPLAY	LIKELY FAILURE CONDITION	SUGGESTED CORRECTIVE ACTION PROCEDURE
F1	E0 E1 E2	<ul style="list-style-type: none"> ■ EEPROM Communications ■ EEPROM Checksum Failure ■ UL A/D Error(s) 	<ol style="list-style-type: none"> 1. Verify failure if not displayed, using CANCEL/OFF key. 2. Disconnect power longer than 30 seconds.
F2	E0 E1	<ul style="list-style-type: none"> ■ Shorted Key ■ Key Tail Unplugged 	<ol style="list-style-type: none"> 1. Verify failure if not displayed, using CANCEL/OFF key. 2. Disconnect power. 3. If applicable, insure membrane tail is seated in connector on back of control. 4. Re-apply power and observe for longer than 1 minute. 5. If failure remains, replace control.
F3	E0 E1 E2 E3	<ul style="list-style-type: none"> ■ Oven Sensor Opened ■ Oven Sensor Shorted ■ Bake Range Over Temp ■ Clean Range Over Temp 	<ol style="list-style-type: none"> 1. A) Measure sensor value (between connector pins) between 1000Ω @ 32° F and 2697Ω @ 900° F. If measurement does not correlate to real temperature, disconnect power, replace sensor and refer to steps 3-5. B) Measure from sensor connector to sensor casing for possible short. 2. Trace wires and connectors to sensor from control, then from sensor back to control. If all connections made and no wire damage, refer to step 3. 3. Disconnect power longer than 30 seconds. 4. Re-apply power and observe for longer than 1 minute. 5. If failure remains, disconnect power, replace control, then go back to step 4.
F5	E0 E1 E2	<ul style="list-style-type: none"> ■ Door and Latch Switches Do Not Agree ■ Solenoid not Operating or Latch Switch Failure ■ Latch During Clean Error 	<ol style="list-style-type: none"> 1. If door latched: <ol style="list-style-type: none"> A) Disconnect power from unit. B) Check wires and connectors from control to door switch, then from door switch to control. If no damage to wires and all connectors okay, proceed to step C. C) Replace door switch. D) Re-apply power. E) Press and hold any key down for 1 minute to clear -F5- failure code from memory. -F2- will appear. Press cancel and observe for 1 minute to insure operation is correct. 2. If door not latched: <ol style="list-style-type: none"> A) Disconnect power from unit. B) Check wires and connectors from control to latch switch, then from latch switch to control. If no damage to wires and all connectors okay, proceed to step C. C) Repeat steps A) and B) for door switch. 3. Measure door switch (door open = switch open small low voltage terminals). 4. Measure latch switch (unlatch = switch open, <i>CAUTION</i>- oven light contacts are closed). 5. If corrections are made in any step, reconnect power to control. Press and hold any key for 1 minute to clear -F5- failure code from memory. -F2- will appear. Press cancel and observe for 1 minute to insure operation is correct. 6. If failure remains, replace control.

pad is not pressed within 5 minutes, adjustment is ignored.

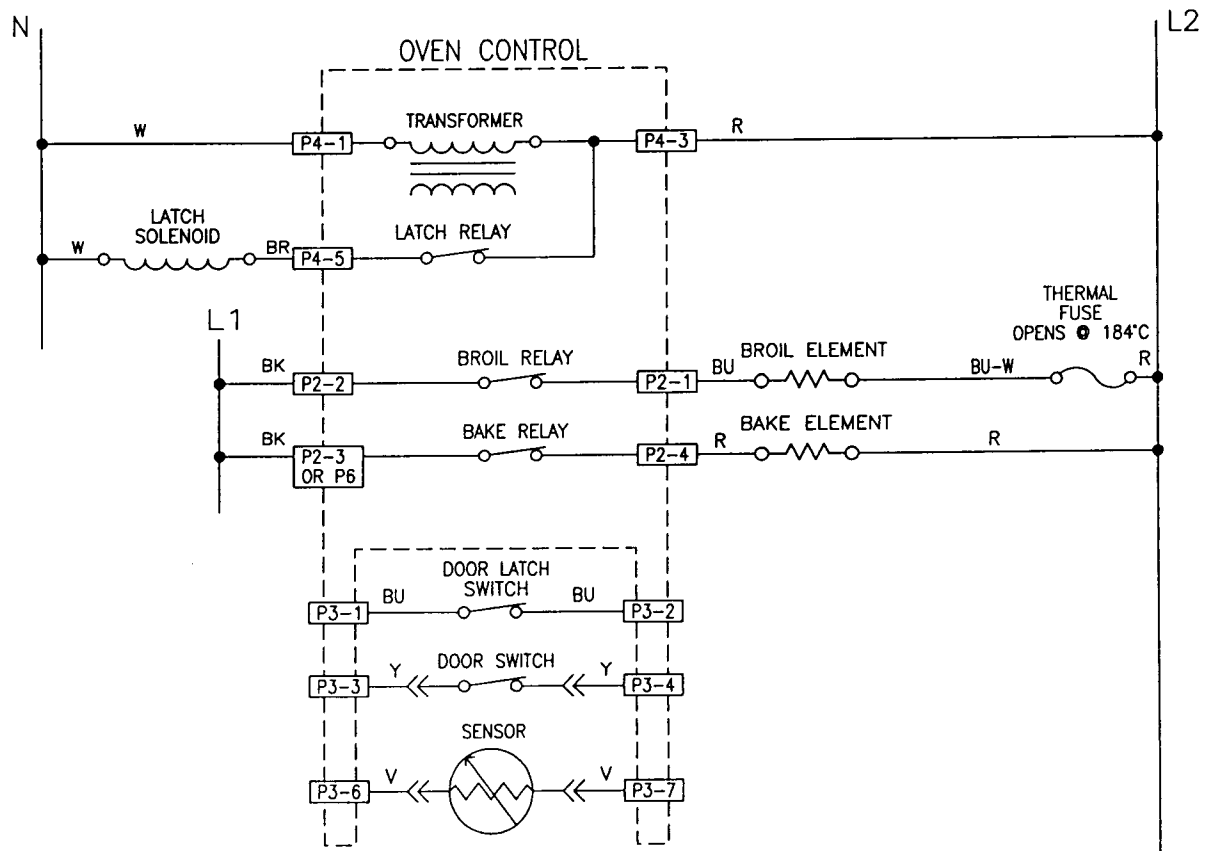
- BAKE temperature adjustment cannot result in operating temperatures higher than 500° F or lower than 170° F, as measured at oven cavity center.

- Once the BAKE temperature has been adjusted, BROIL temperatures are automatically offset to the same degree.
- CLEAN temperature is also offset automatically when BAKE temperature is adjusted. If BAKE temperature has been raised, CLEAN temperature is offset +5° F. If BAKE temperature has been lowered, CLEAN temperature is offset -5° F.

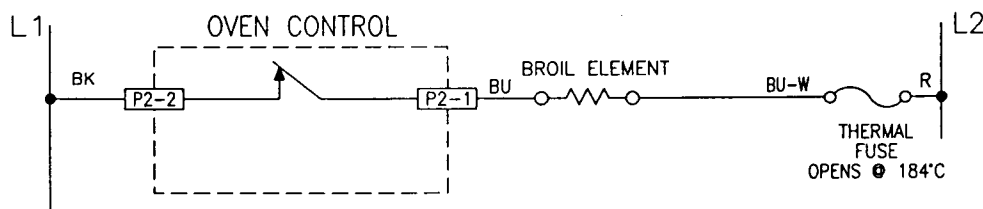
STRIP CIRCUITS

The following individual circuits are for use in diagnosis.
Before starting diagnosis, check the line voltage and for blown fuses.

CLEAN



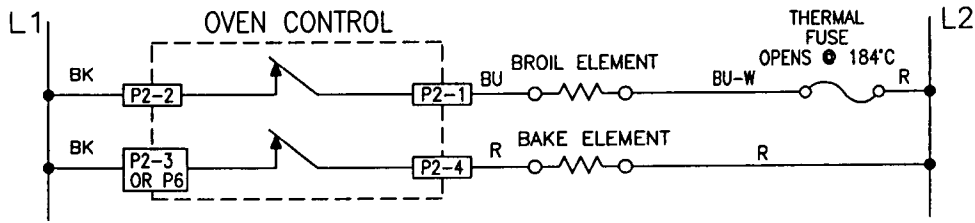
BROIL



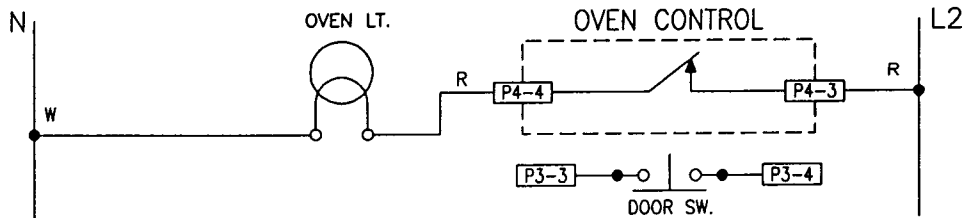
STRIP CIRCUITS - continued

The following individual circuits are for use in diagnosis.
 Before starting diagnosis, check the line voltage and for blown fuses.

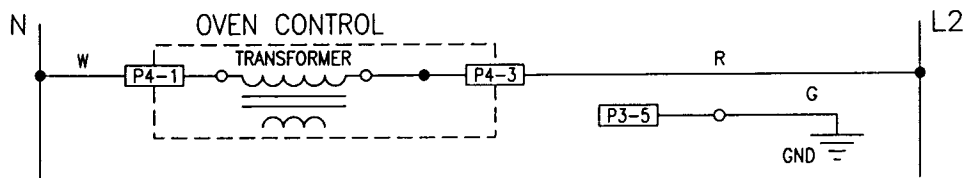
BAKE



OVEN LIGHT

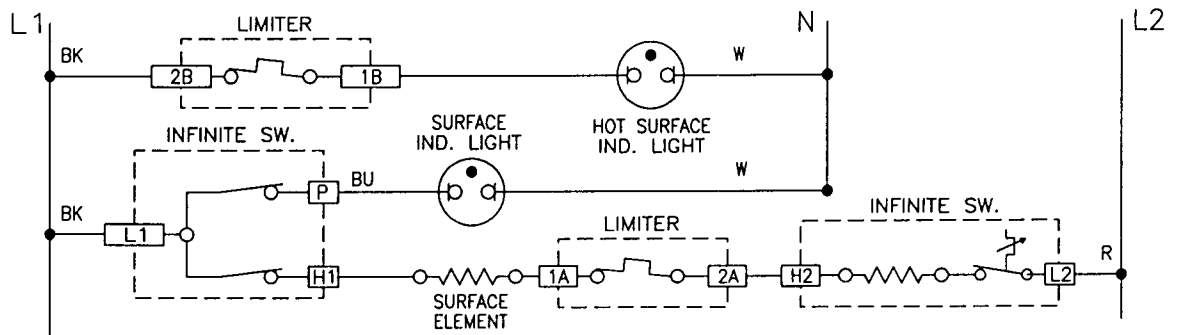


CLOCK DISPLAY ON

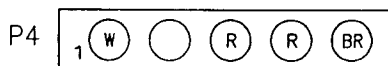
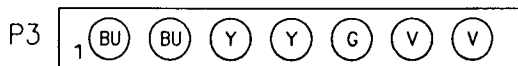


SURFACE UNIT

(TYPICAL)



QUICK DISCONNECT PLUGS



PART NO. 3196077 REV. D

NOTE: This sheet contains important
 Technical Service Data

**FOR SERVICE TECHNICIAN ONLY
 DO NOT REMOVE OR DESTROY**